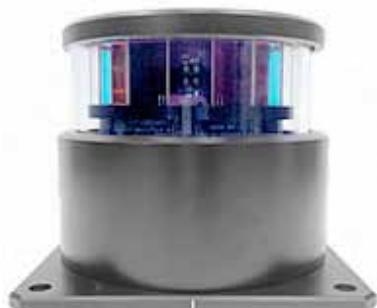
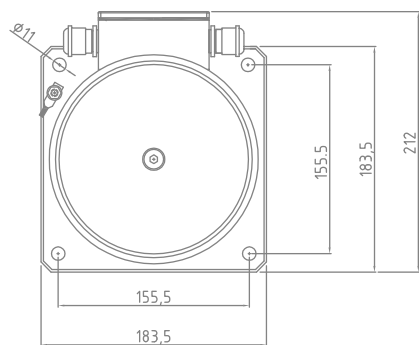




LED - NVG | LED Friendly Navigation Lights for NVG Operations



Starboard	Port	Masthead	Stern	Towing	Signalling	Manoevering	Suez	Steering
112,5° 3nm	112,5° 3nm	225° 6nm	135° 3nm	135° 3nm	360° 3nm	360° 3nm	135° 3nm	30° >2nm



Product Description

LED-NVG Navigation Lights provides full solutions to match the regulations established in Stanag 1445, Stage 2, taking into consideration the contents of FAA (Federal Aviation Administration) NVG Human Factors document, for approaches, launches and recoveries in NVG Operations.

Stage 2 reads as follows: "NVG Friendly. Ship's lights will cause a controlled degree of interference to night vision goggles, but must be able to be clearly seen both through goggles and by the naked eye".

Our lights of the type LED-NVG comply with above requirements, as per class B in NVG human factors document.

Approval

DNV

Technical Features

- Housing: Black anodized seawater resistant aluminum
- Lens: Borosilicate glass
- Fully resistant to sea environment
- Non magnetic
- Integrated terminal box in every light

Black anodized seawater resistant aluminum
 Borosilicate glass

Operational temperature:

From -25° C to +55° C

Protection:

IP68

Lifetime:

Approx. 50.000 hours for main plus 50.000 hours for spare light (main and spare light combined in the same module)

Weight:

4 kg

Power supply:

220/115/24 V

Power consumption:

3-15W

Mounting and cable connection:

- Two cable glands: Optional PG13,5, PG16, PG21
- Four mounting holes $\phi 11$

Optionals

Delivery of custom made lights upon request

